

# Instructions of BKT100 Wall Fixed Installation for Panel TV

## 1. Technical parameter

Size of flat panel TV: 13"~27"  
left & right  $\pm 15^\circ$

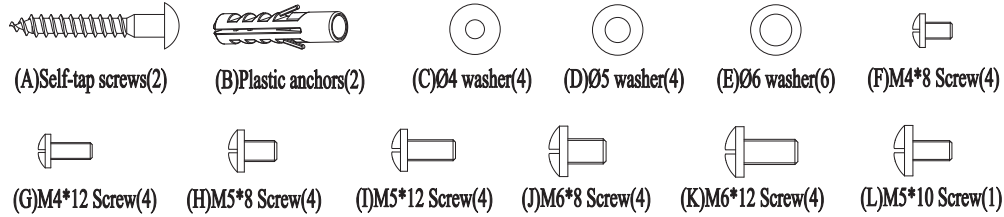
Maximum load: 15kg  
rotation 360°

Adjustable angle: up & down  $\pm 15^\circ$   
Distance from wall: 44mm

## 2. Part List

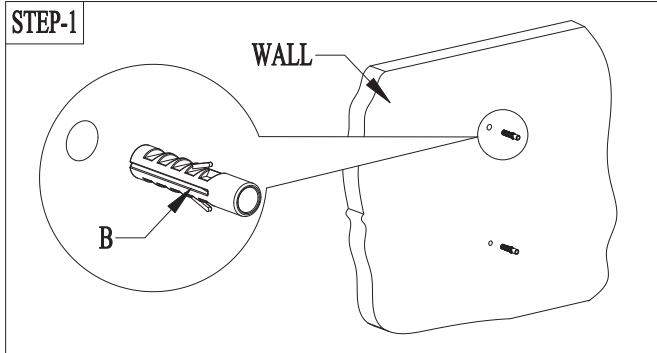
Please check the parts in the package in comparison with the following list. Make sure all of the parts are in the package. Never use defective parts. Never replace part with different specification.

Note: Incorrect installation may cause injury!

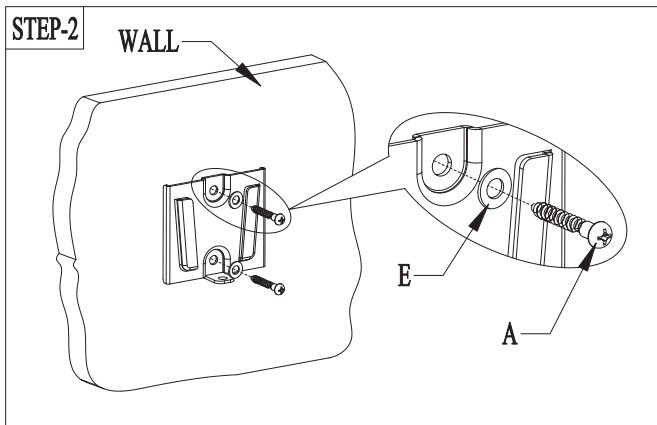


## 3. Installation and operation instructions

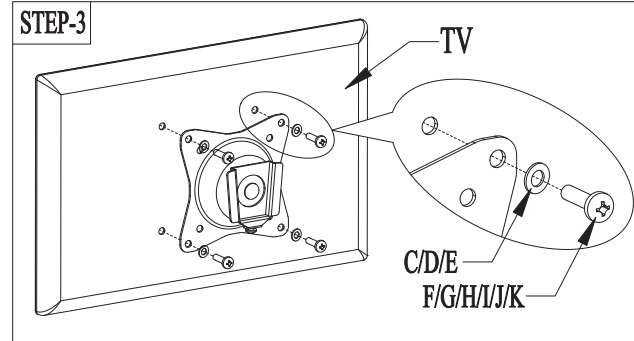
Note: please read the instructions carefully before installation!



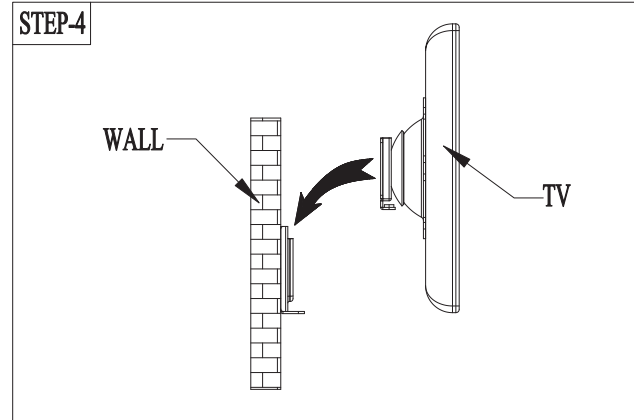
**Step 1:**  
Use the wall plate as a templet to drill two holes of  $\varnothing 8\text{mm}$  diameter and 50mm depth. The two holes should be symmetrical in vertical directions. Insert two plastic concrete anchors into the holes.



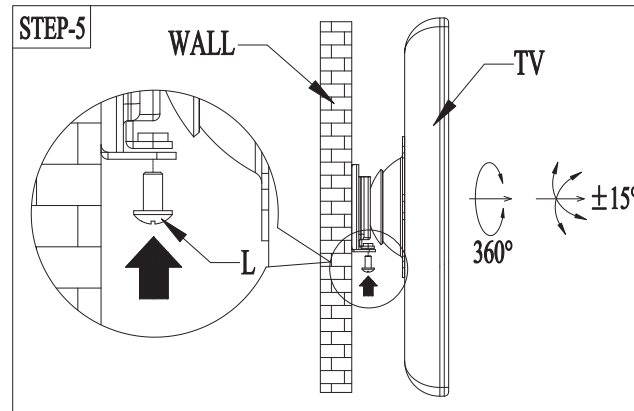
**Step 2:**  
Screw four lag bolts into the plastic concrete anchors through washer and the wall dead plate to make the dead plate and vertical wall into a whole.



**Step 3:**  
Screw four suitable screws to the thread holes at the TV back through the corresponding holes in TV plate. And the screws should be screwed down. The TV plate should be installed symmetrically and evenly on the TV back.  
Important- Do not use power tool.



**Step 4:**  
Insert the flanges of the TV plate in connection with the flat panel TV into the slots inboard of the wall plate. Don't loosen your hands until installed firmly.



**Step 5:**  
Screw the bolt into the thread hole underside of the TV plate through the wall plate and screw up to make the wall plate and TV plate in a whole.

## 4. Notes

- (1) Choose the right place to install wall plate. The bracket must be installed on solid concrete wall. Make sure the wall can support 60kg weights up.
- (2) Users should check and maintain the product frequently according to the use status to ensure the flat panel TV works normally, safely and securely. Please wipe joining parts with a dry cloth frequently. Don't use it in rain or in moist environment. Please check once two months if all bolts are secure or not.