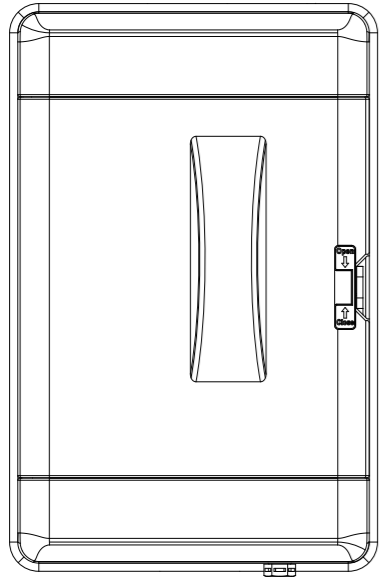


A Use Purpose

WPB-1, WPB-2 waterproof installation box, are suitable for the protection housing of 2P plastic shell circuit breaker, Ex9MD160A and Ex9MD250A respectively, the protection degree is IP65.

⚠ Safety Warning:

- 1) Only professional technicians are allowed for installation and maintenance.
- 2) It is strictly prohibited to install in the environment containing inflammable, explosive gas and moist condensation.
- 3) Power must be turned off when installing and maintaining the product.
- 4) Do not touch the conductive part of the product during working.



NOARK

B Installation

Outline Drawings

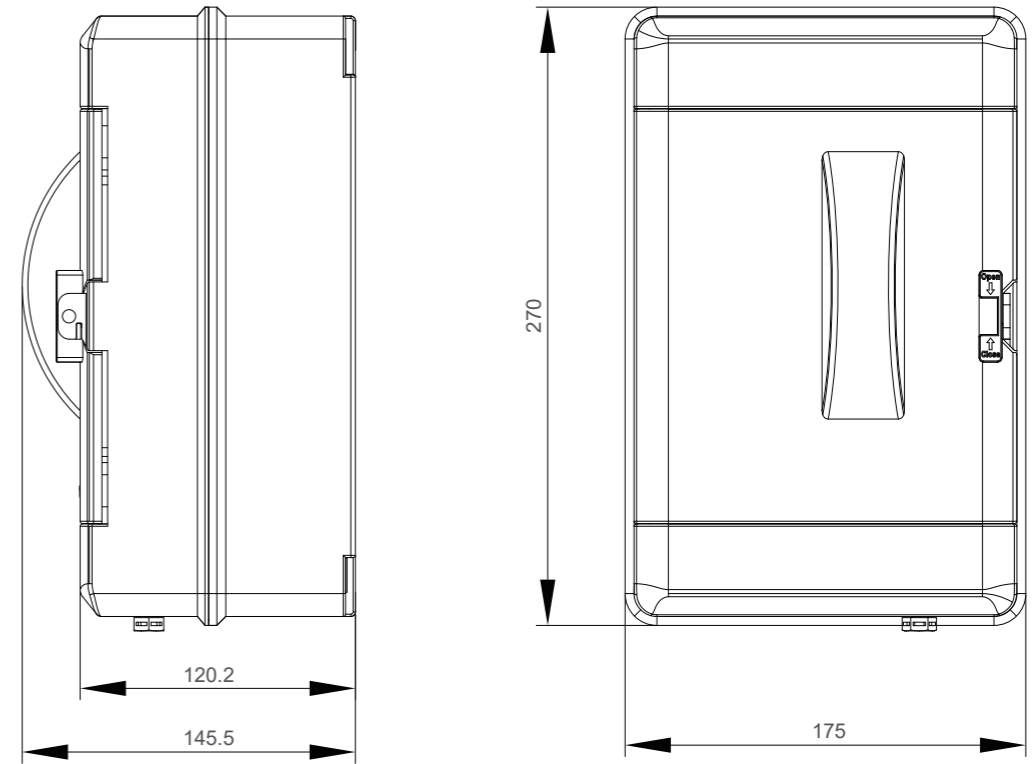


Fig 1 WPB-1、WPB-2 outline sizes drawings

& Installation

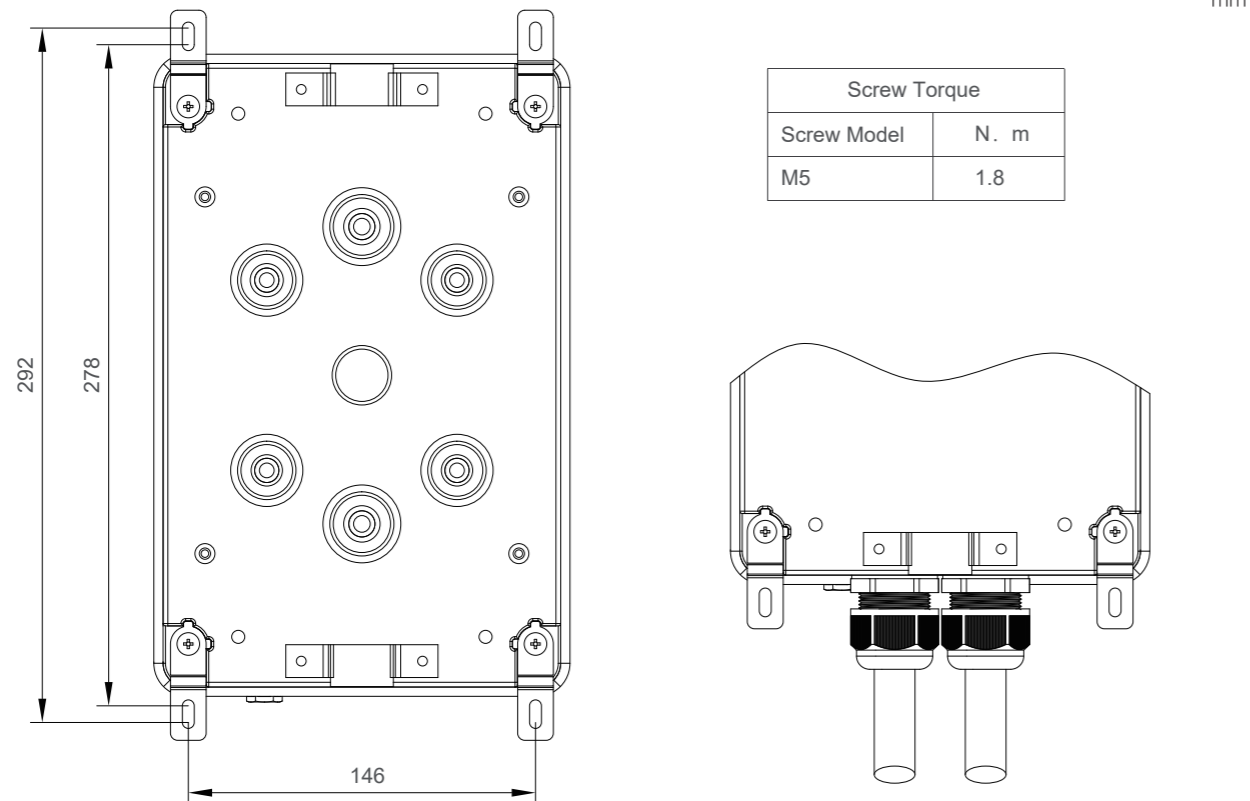


Fig 2 2-in 2-out mounting sizes drawings

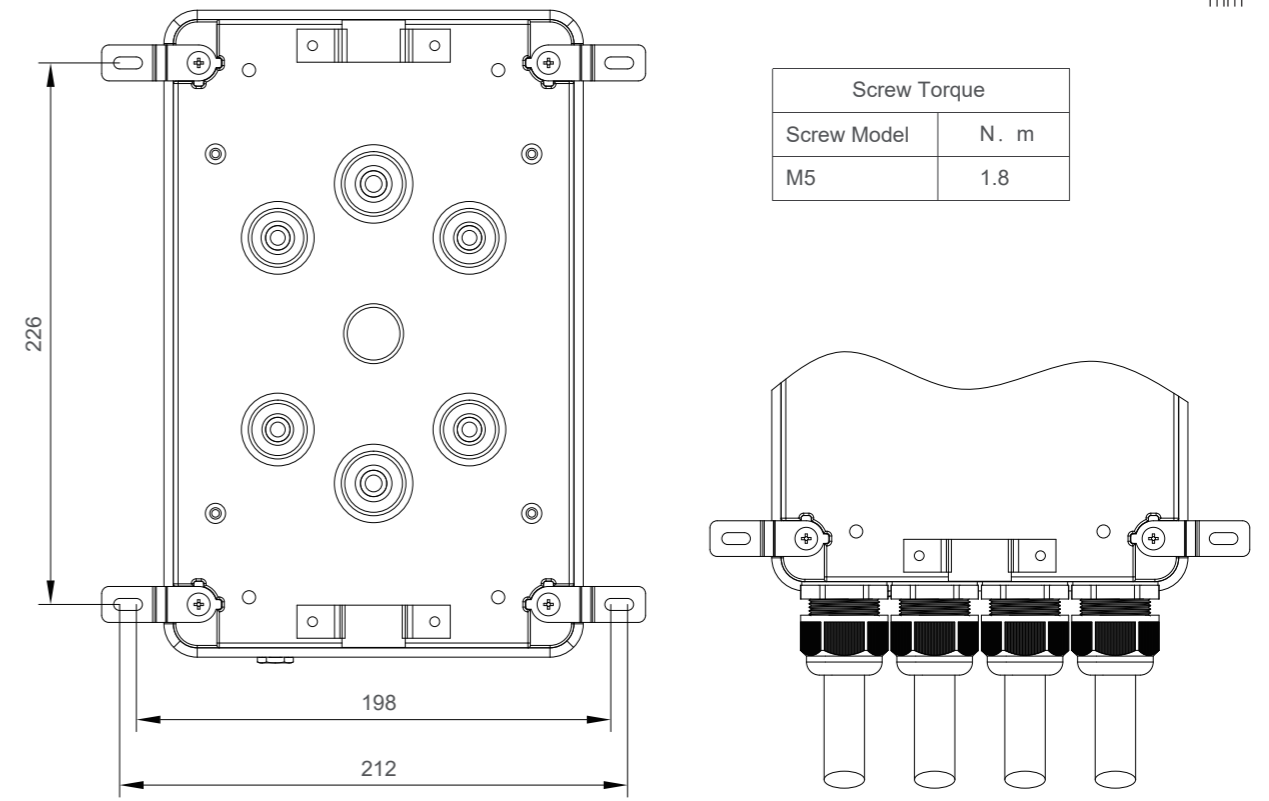
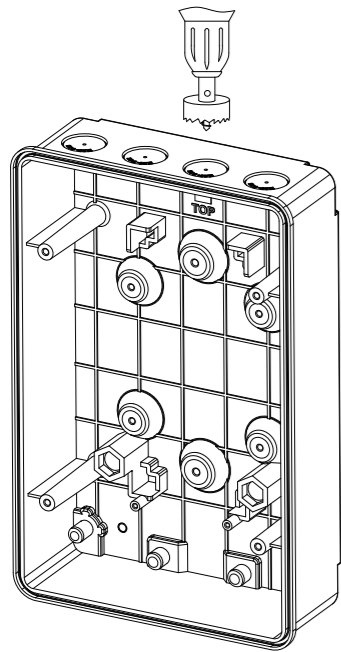
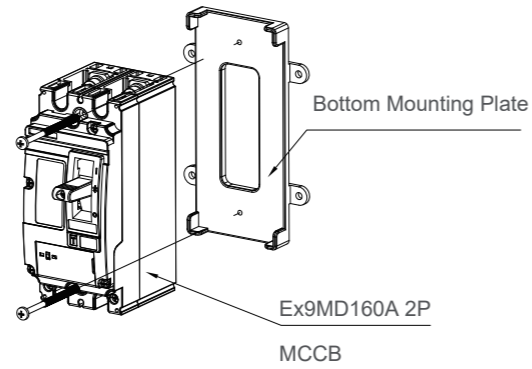


Fig 3 2-in 4-out mounting sizes drawings

Installation method illustration



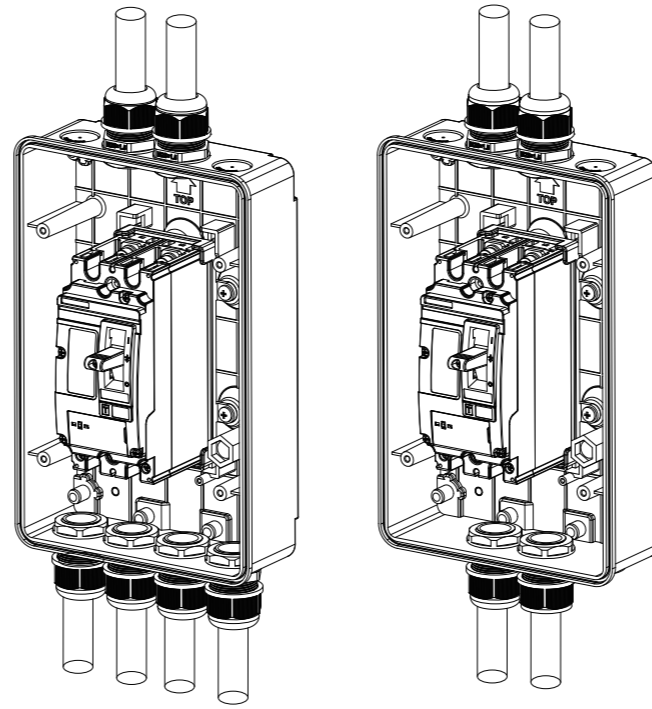
Step 1 Open the hole on bottom with the hole opener according to the actual requirements, and install the cable gland after the hole opening is completed.



Screw Torque	
Screw Model	N. m
M4	1.4
M6	6

Step 2 WPB-1 Mounting (Ex9MD160A 2P plastic shell circuit breaker)

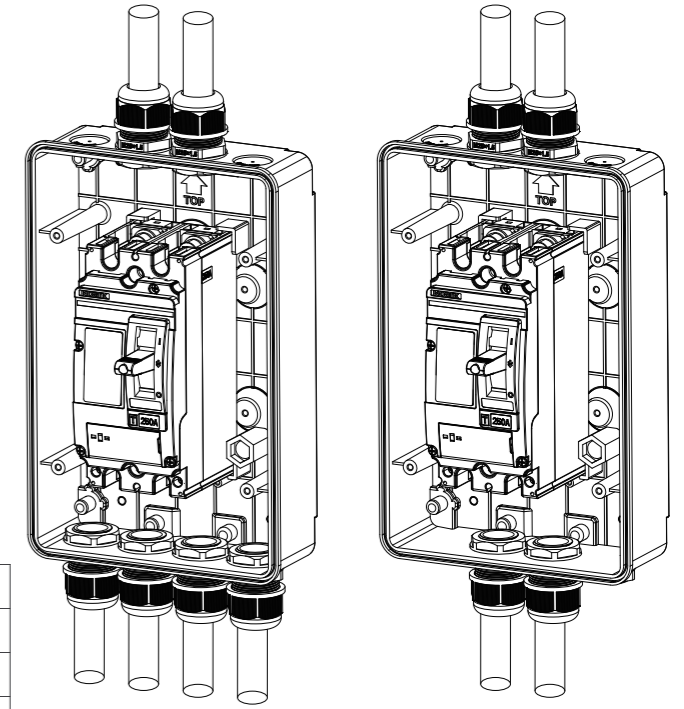
1. Fix the circuit breaker on the mounting plate with M4 screw;
2. Fix the mounting plate to the bottom case with the M4 screw;
3. Connect cable through the cable gland to the wiring screw (M6) of the circuit breaker.



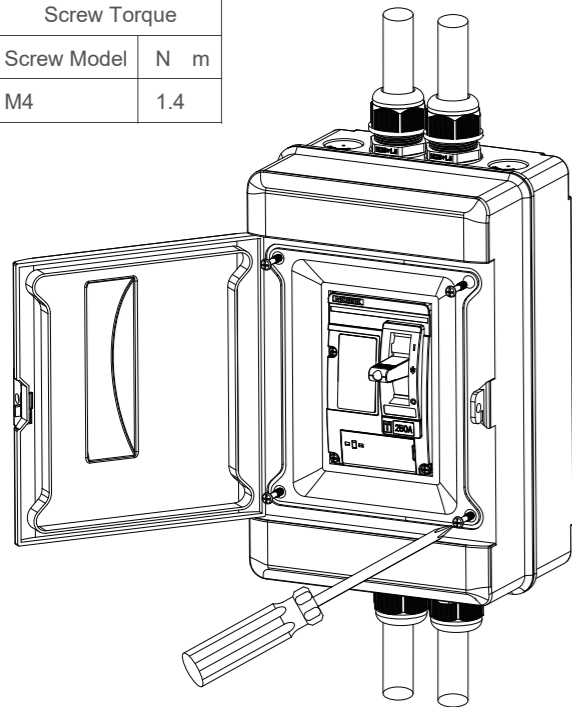
Screw Torque	
Screw Model	N. m
M5	1.8
M8	8

Step 2 WPB-2 Mounting (Ex9MD250A 2P plastic shell circuit breaker)

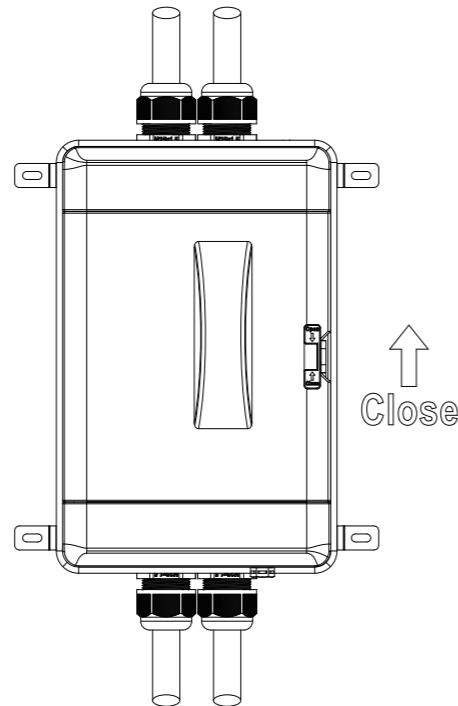
1. Fix the circuit breaker on the bottom base with M5 screw;
2. Connect cable through the cable gland to the wiring screw (M8) of the circuit breaker.



Screw Torque	
Screw Model	N. m
M4	1.4



Step 3 Fix the frame cover to the bottom base with M4 screw



Step 4 After closing the transparent cover, move switch button along the direction marked by the arrow

Note:
After the installation completes, please check the gap between the plate and the bottom case, whether the switch buttons on face cover are in Close position, and whether the waterproof connector is installed properly to ensure the product protection functionality.

Preparation and inspection before use

WPB-1 accessories	
Specification	quantity
bottom mounting plate	1
M4*10	4
M4*65	2
M25 cable gland	4
installation gasket	4
M5*10	4
instruction manual	1

WPB-2 accessories	
Specification	quantity
M5*70	2
M25 cable gland	4
installation gasket	4
M5*10	4
instruction manual	1

C Maintenance

The product shall be checked regularly during installation and operation. The box shall not be damaged, the wiring in the box shall be correct and neat, the screws shall be tightened and not be loose.

D Environmental Protection

In order to protect the environment, when the product or its parts are scrapped, please properly dispose of them as industrial wastes; or be sent to the recycling station for assortment, dismantling and recycling.

NOARK Electric (Shanghai) Co., Ltd.

Add: 3857 Sixian Road, Songjiang District, Shanghai
Tel: 021-3779 1111

Customer Service Hotline: 400-1092-111



Printed with environmentally-friendly paper

The expression right of the instructions are owned by NOARK.